

DI-202 Design Idea

LinkSwitch-LP™

2.5 W Emergency Lighting Power Supply

Application	Device	Power Output	Input Voltage	Output Voltage	Topology
Emergency Lighting	LNK564PG	2.5 W	185 – 265 VAC	12 V	Flyback

Design Highlights

- Low cost, low component count
- Clampless™ flyback topology
- E-Shield™ transformer winding technique for reduced EMI
- Adjustable output voltage (8 V to 18 V) through single resistor selection
- Integrated input line low voltage monitor
- Active high signal for ballast triggering
- Easy compliance to IEC61000-3-2

Operation

The schematic in Figure 1 shows an off-line flyback converter using the LNK564PG. It operates over a line input voltage range of 185 VAC to 265 VAC and provides an isolated, 12 V, 210 mA output.

The AC input power is half-wave rectified, filtered and applied to one end of the transformer primary, the other end being connected to the DRAIN pin of the LNK564PG. Transformer T1 makes use of E-Shield™ techniques to reduce both conducted EMI generation and therefore the number of filtering components required.

The voltage generated by the secondary of T1 is rectified and filtered (by D2 and C2) to provide an isolated 12 V output. Resistor R2 provides a minimum load and ensures output regulation under no-load conditions.

Primary side regulation is achieved by sensing the bias winding output voltage across C3. This is fed into the FEEDBACK pin via divider R6 and R10. The transformer design is such that the output voltage can be configured between +8 V and +18 V by means of adjusting the value of R6, allowing the flexibility to provide 2.5 W of output power to different battery configurations.

The rectified mains voltage is sensed by the resistor divider formed by R1, R4, and R9, filtered by C5, and applied to the base of Q2. When the input voltage is greater than or equal to 195 VAC, Q2 is turned off and U1 regulates the output voltage. On the output, battery charging is sensed through series resistors R11 and R12. The voltage drop on R11 and R12 drives Q1 into saturation while charging, forcing output signal “Ballast Enable” low. When the input voltage drops below 180 VAC, Q2 turns on, increasing the current into the FEEDBACK (FB) pin and lowering the output voltage. The lower output voltage causes the battery current to fall and the signal “Ballast Enable” goes high (to +V_{BAT}).

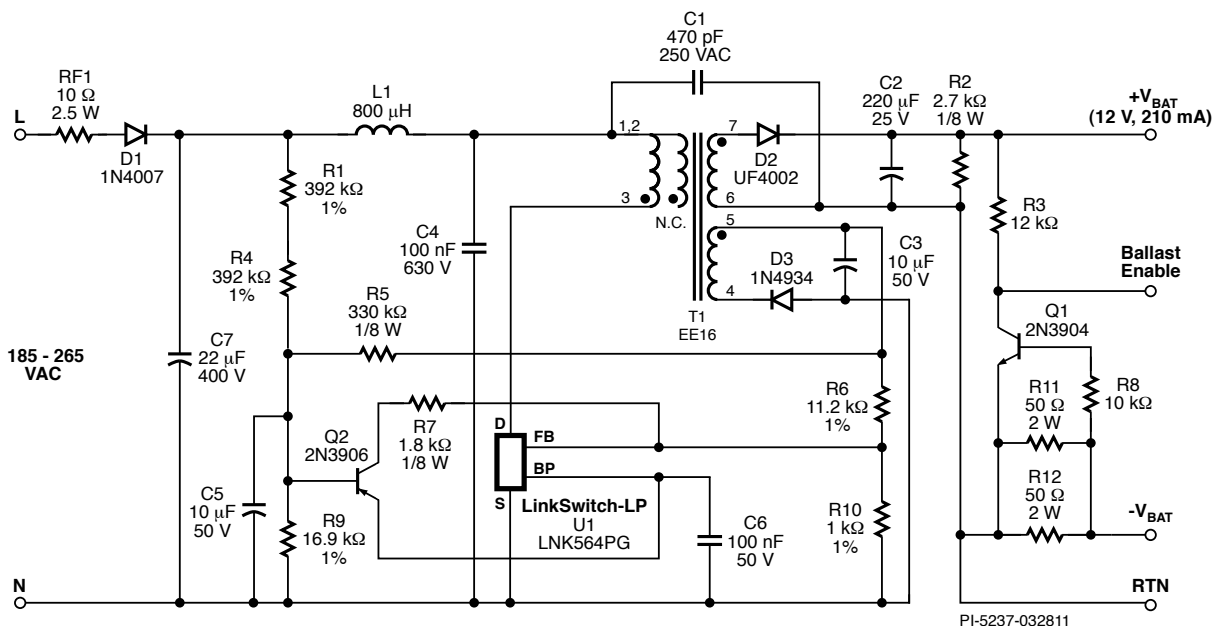


Figure 1. Schematic of a 2.5 W Lighting Power Supply Using LNK564PG.

Key Design Points

- Verify that the maximum drain voltage is <650 V at high-line.
- For the IC to limit the supply's output current past the point of peak power delivery, the voltage on FEEDBACK pin must begin to drop below 1.69 V as the load increases. Therefore, the value of R10 should be selected so the FEEDBACK pin voltage is 1.69 V at the peak power.

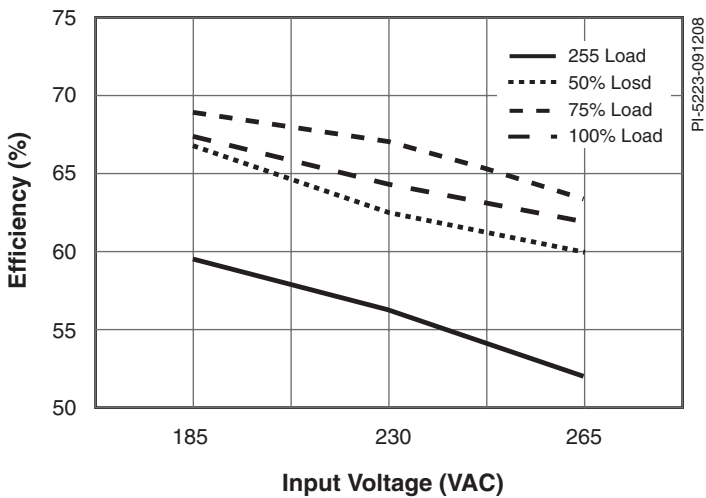


Figure 2. Efficiency vs. Input Voltage and Load.

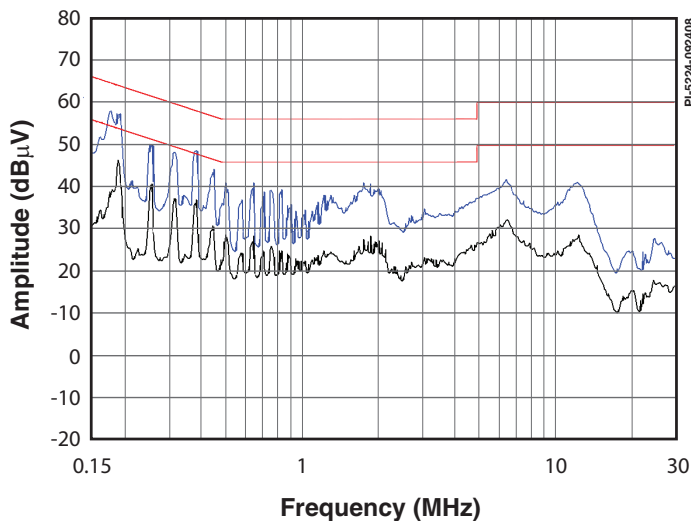


Figure 3. Figure 3: Conducted EMI, Maximum Steady-State Load, Line Input 230 VAC, 60 Hz, and EN55022 B Limits.

Transformer Parameters

Core Material	EE16, NC-2H or equivalent, gapped for ALG of 101 nH/t ²
Bobbin	Generic, 5 primary + 2 secondary
Winding Details	Cancellation Shield: 32T, 2 × #38 AWG Primary: 196T, #38 AWG Feedback/Bias: 33T, #36 AWG Secondary: 31T, #30 AWG TIW
Winding Order	Cancellation Shield (1,2-NC), Primary (3-1,2) Feedback/Bias, (5-4), Secondary (7-6)
Primary Inductance	4268 µH, ±10%
Primary Resonant Frequency	276 kHz (minimum)
Leakage Inductance	170 µH (maximum)

Table 1. Transformer Parameters. (TIW = Triple Insulated Wire, NC = No Connection)



Want More?

Use your smartphone and free software from www.neoreader.com (or any other free QR Code Reader from your smartphone's App Store) and you will be connected to related content on our website.

Power Integrations
5245 Hellyer Avenue
San Jose, CA 95138, USA.
Main: +1 408-414-9200
Customer Service
Phone: +1-408-414-9665
Fax: +1-408-414-9765
Email: usasales@powerint.com

On the Web
www.powerint.com

A
03/11

Power Integrations reserves the right to make changes to its products at any time to improve reliability or manufacturability. Power Integrations does not assume any liability arising from the use of any device or circuit described herein. POWER INTEGRATIONS MAKES NO WARRANTY HEREIN AND SPECIFICALLY DISCLAIMS ALL WARRANTIES INCLUDING, WITHOUT LIMITATION, THE IMPLIED WARRANTIES OF MERCHANTABILITY, FITNESS FOR A PARTICULAR PURPOSE, AND NON-INFRINGEMENT OF THIRD PARTY RIGHTS. The products and applications illustrated herein (transformer construction and circuits external to the products) may be covered by one or more U.S. and foreign patents or potentially by pending U.S. and foreign patent applications assigned to Power Integrations. A complete list of Power Integrations' patents may be found at www.powerint.com. Power Integrations grants its customers a license under certain patent rights as set forth at <http://www.powerint.com/ip.htm>.

The PI logo, TOPSwitch, TinySwitch, LinkSwitch, DPA-Switch, PeakSwitch, CAPZero, SENZero, LinkZero, HiperPFS, HiperTFS, Qspeed, EcoSmart, Clampless, E-Shield, Filterfuse, StackFET, PI Expert and PI FACTS are trademarks of Power Integrations, Inc. Other trademarks are property of their respective companies. ©2011, Power Integrations, Inc.