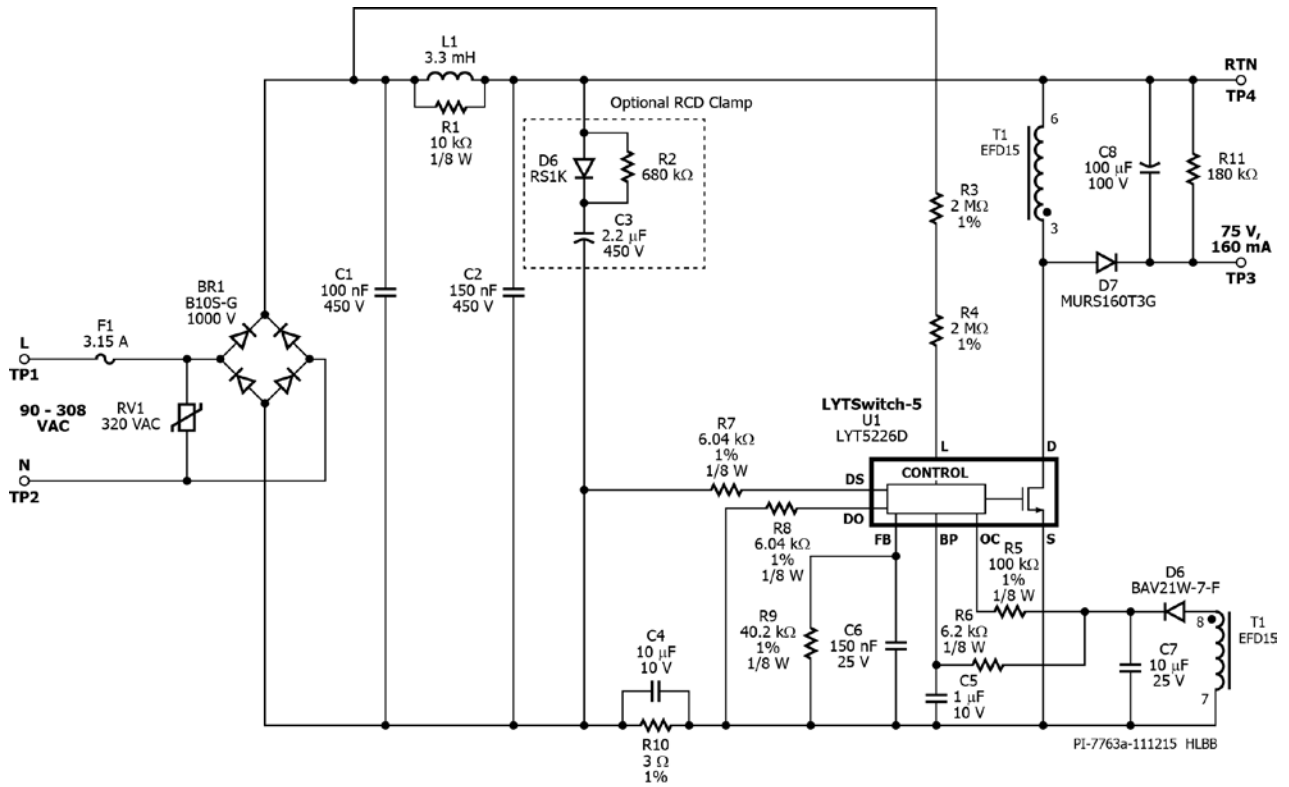


### 3 Schematic



**Figure 4 – Schematic.**

**Note:** JP1 is mounted for the buck-boost topology, while JP2 is for the buck topology.