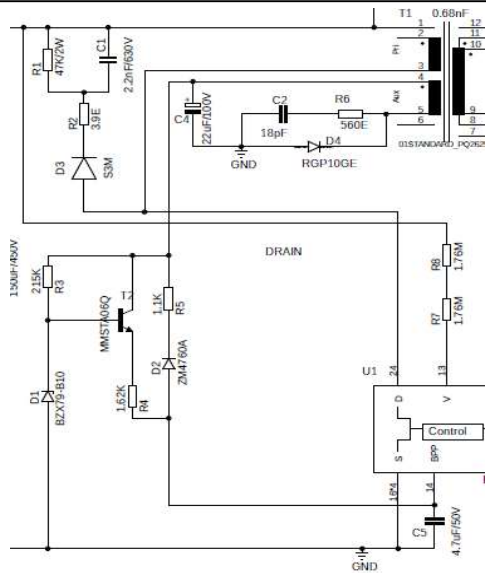
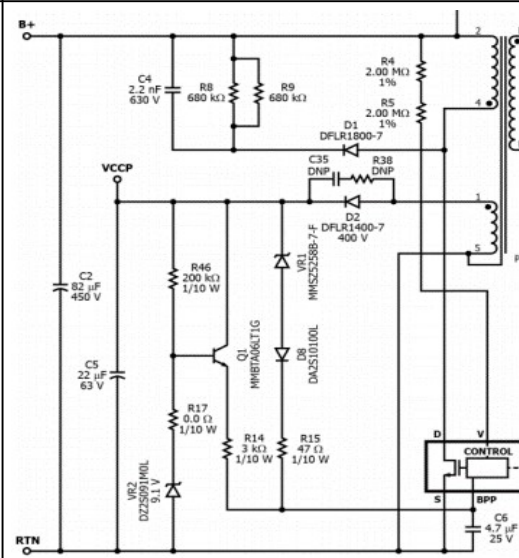


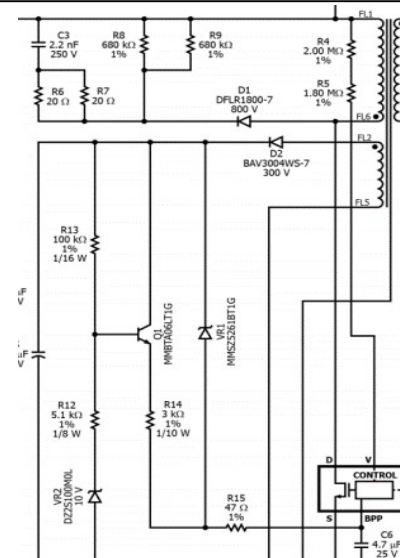
Phynart Design 100W



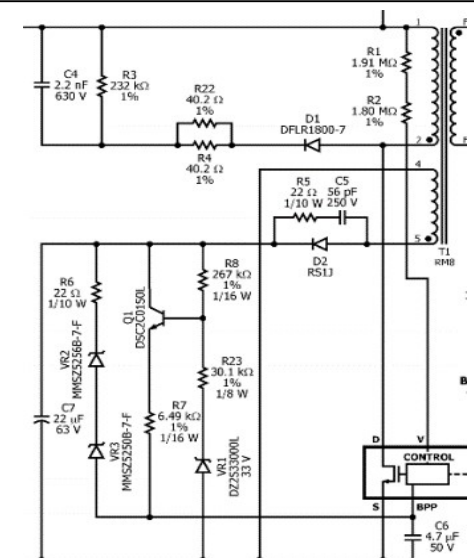
RDR-805 100 W USB-PD PFS4+InnoSwitch3-Pro Charger

[RDR-805](#)

DER-803 60 W InnoSwitch3-Pro USB PD 3.0 with PPS

[DER-803](#)

DER-814 45 W USB PD InnoSwitch3-Pro Charger

[DER-814](#)

R3= 215K

NA

R4= 1.62K

R5= 1.1K

NA

R46= 200K

R17=0 Ohm

R14= 3K

R15=47Ohm

NA

R13=100k

R12=5.1K

R14=3k

NA

R15= 47ohm

R8=267K

R23= 30.1K

R7=6.41K

R6=22Ohm

NA