

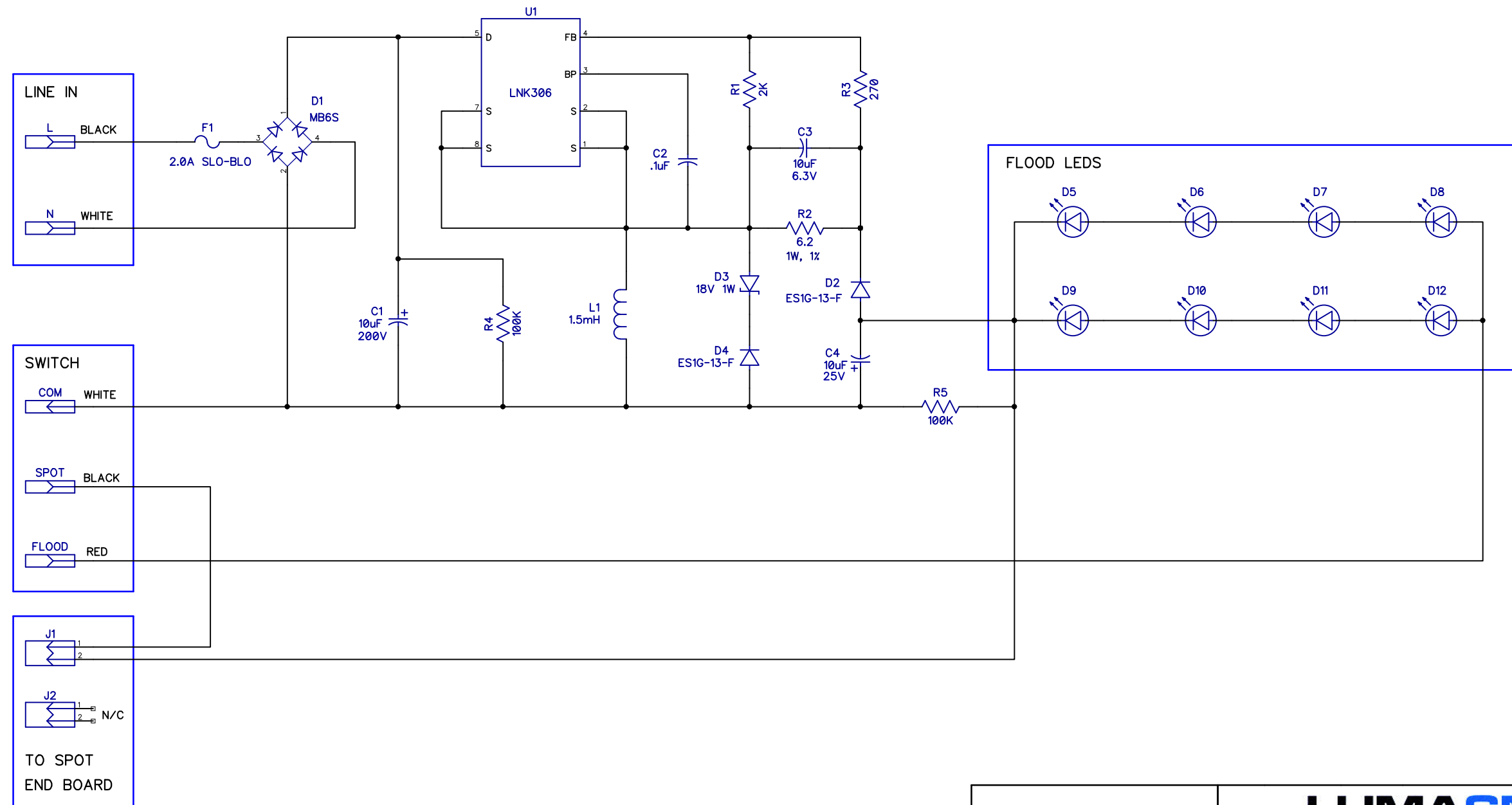
2

1

REVISIONS				
ZONE	REV	DESCRIPTION	DATE	APPROVED
ENG	B	CHANGED PER CUSTOMER	10/25/16	

B

B



A

A

2

1

ALL RESISTORS 5%, 1/4W, UNLESS NOTED OTHERWISE	<b>LUMASmart</b> SMARTER LIGHTING			
	GMI AC STUBBY REPLACEMENT MAIN BOARD			
08/18/2016	SIZE B	FSCM NO.	DWG NO. LS1728	REV B
R. WRIGHT	SCALE			Sheet 1