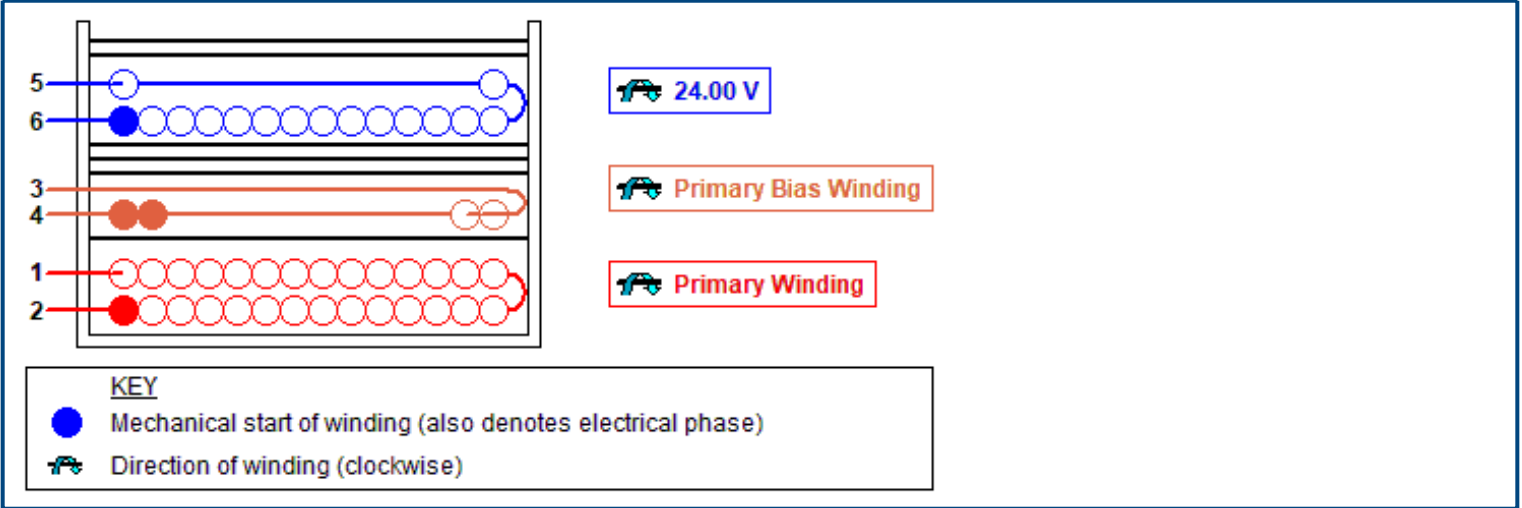


Electrical Diagram



Mechanical Diagram



Winding Instruction

Primary Winding
Start on pin(s) 2 and wind 64 turns (x 1 filar) of item [5]. in 2 layer(s) from left to right. Winding direction is clockwise. At the end of 1st layer, continue to wind the next layer from right to left. On the final layer, spread the winding evenly across entire bobbin. Finish this winding on pin(s) 1.
Add 1 layer of tape, item [3], for insulation.

Primary Bias Winding
Start on pin(s) 4 and wind 7 turns (x 2 filar) of item [6]. Winding direction is clockwise. Spread the winding evenly across entire bobbin. Finish this winding on pin(s) 3.
Add 3 layers of tape, item [3], for insulation.

Secondary Winding
Start on pin(s) 6 and wind 13 turns (x 1 filar) of item [7]. Spread the winding evenly across entire bobbin. Winding direction is clockwise. Finish this winding on pin(s) 5.
Add 2 layers of tape, item [3], for insulation.

Core Assembly
Assemble and secure core halves. Item [1].

Varnish
Dip varnish uniformly in item [4]. Do not vacuum impregnate.

Comments

1. For non margin wound transformers use triple insulated wire for all secondary windings.

Materials

Item	Description
[1]	Core: RM7, 3F3, gapped for ALG of 222 nH/T ²
[2]	Bobbin: Generic, 4 pri. + 2 sec.
[3]	Barrier Tape: Polyester film [1 mil (25 µm) base thickness], 7.05 mm wide
[4]	Varnish
[5]	Magnet Wire: 33 AWG, Solderable Double Coated
[6]	Magnet Wire: 28 AWG, Solderable Double Coated
[7]	Triple Insulated Wire: 26 AWG

Electrical Test Specifications

Parameter	Condition	Spec
Electrical Strength, VAC	60 Hz 1 second, from pins 1,2,3,4 to pins 5,6.	3000

Nominal Primary Inductance, μH	Measured at 1 V pk-pk, typical switching frequency, between pin 1 to pin 2, with all other Windings open.	909
Tolerance, $\pm\%$	Tolerance of Primary Inductance	5.0
Maximum Primary Leakage, μH	Measured between Pin 1 to Pin 2, with all other Windings shorted.	27.26

Although the design of the software considered safety guidelines, it is the user's responsibility to ensure that the user's power supply design meets all applicable safety requirements of user's product.

The products and applications illustrated herein (including circuits external to the products and transformer construction) may be covered by one or more U.S. and foreign patents or potentially by pending U.S. and foreign patent applications assigned to Power Integrations. A complete list of Power Integrations' patents may be found at www.power.com.